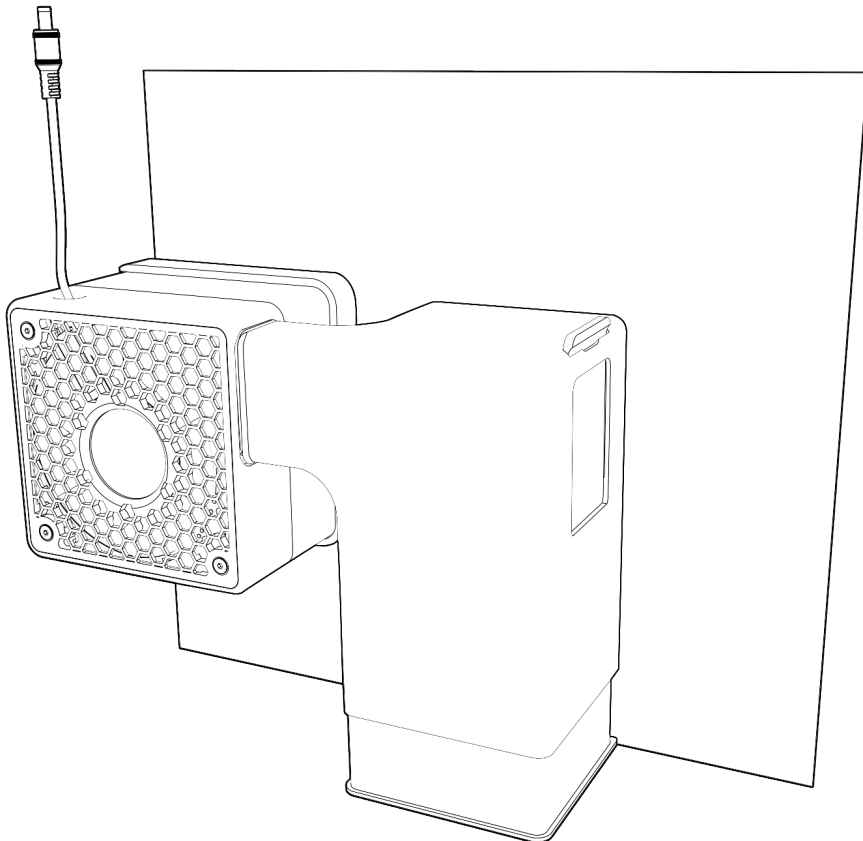


INSTRUCTION MANUAL

Waste tank / Recycling guide XL version 2.0_XL

Remote-Controlled Air Filtration Kit

For BambuLAB P1S / X1 / X1C Compatible with AMS

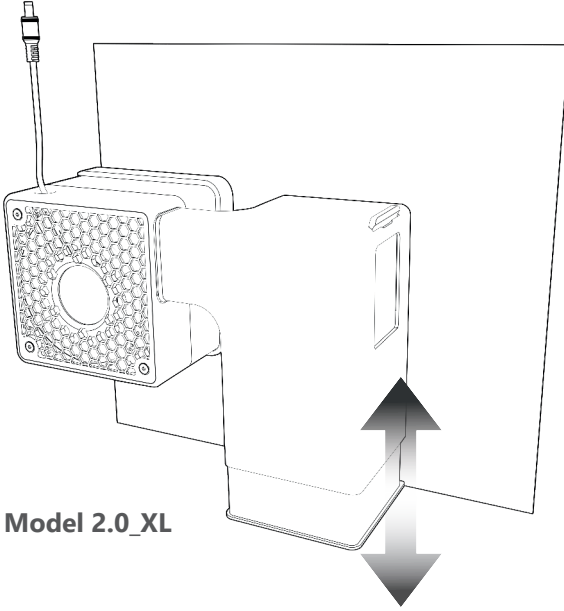


Find all assembly instructions :

https://www.alveo3d.com/wp-content/uploads/2025/10/version_11-1_step_SHARE.zip

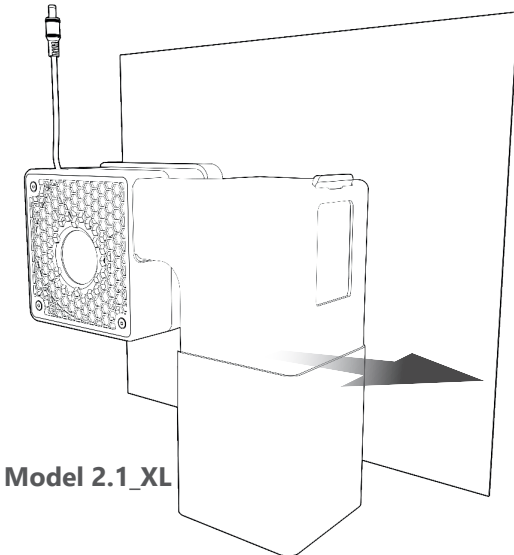
1. DIFFERENCE BETWEEN THE TWO XL VERSIONS

Check that the waste container is correctly positioned beneath the upper housing.



Model 2.0_XL

XL version – vertical snap-fit: to remove/install the bin, press in vertically.

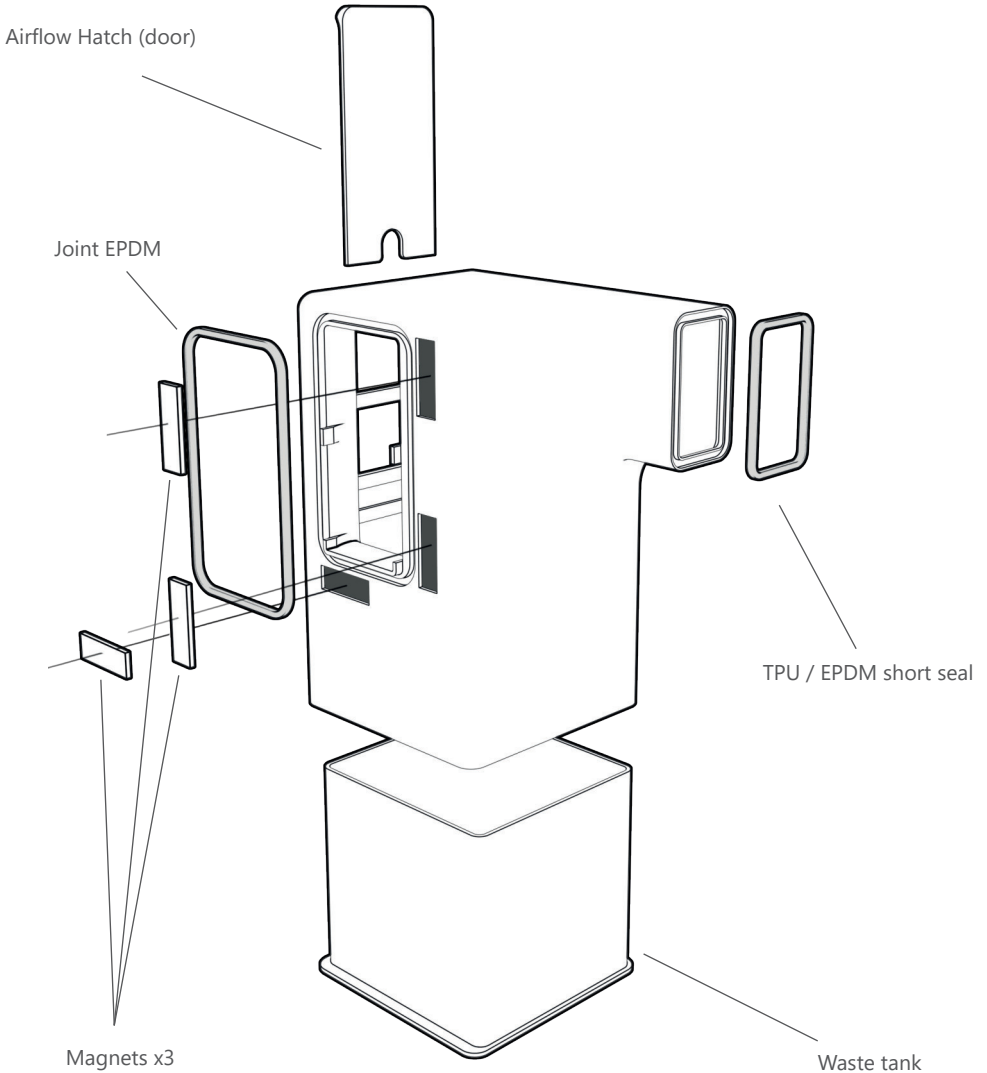


Model 2.1_XL

XL version – lateral slide: to remove/install the bin, slide it sideways.

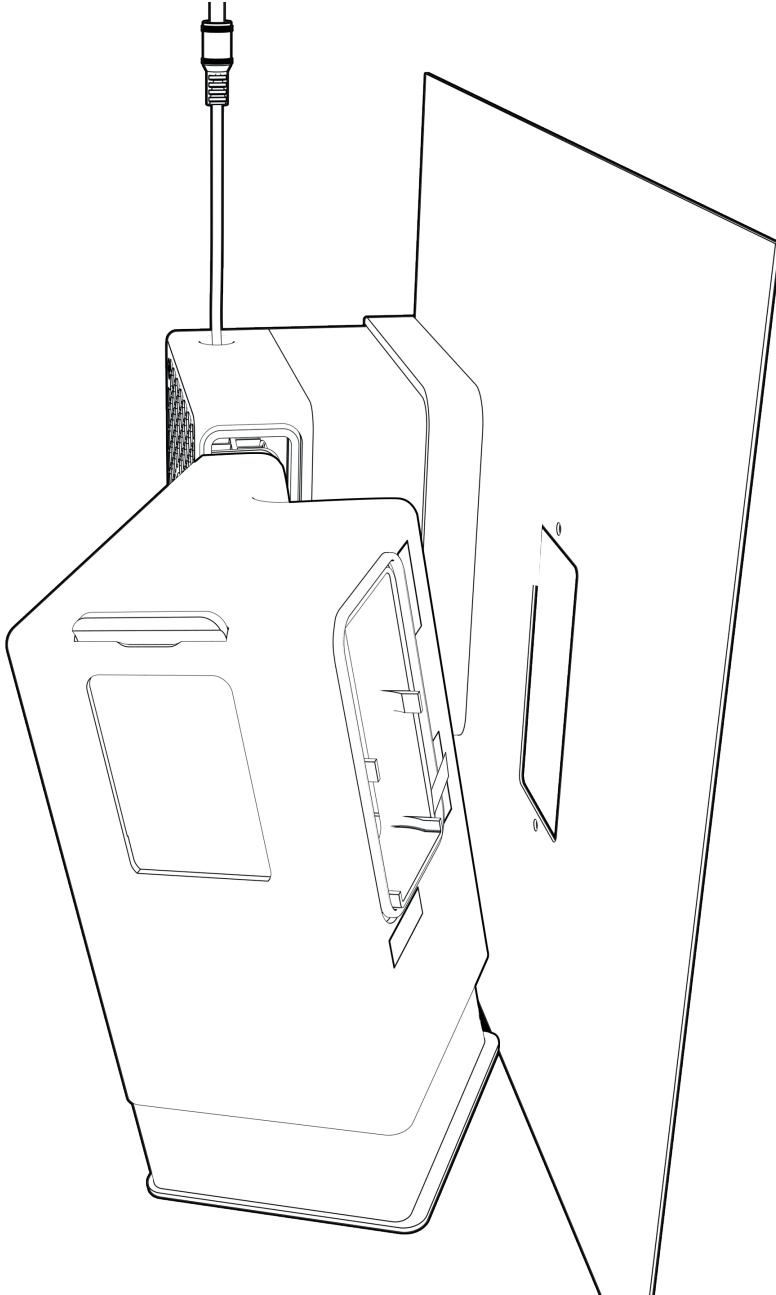
2. GUIDE DE RECYCLAGE

1. Prepare the EPDM seals on the guide by cutting two pieces of sufficient length to cover the designated areas.
The EPDM gasket can be replaced with a 3D-printed TPU gasket.
2. Place the magnets in the designated slots and secure them with strong adhesive to ensure they stay in place.



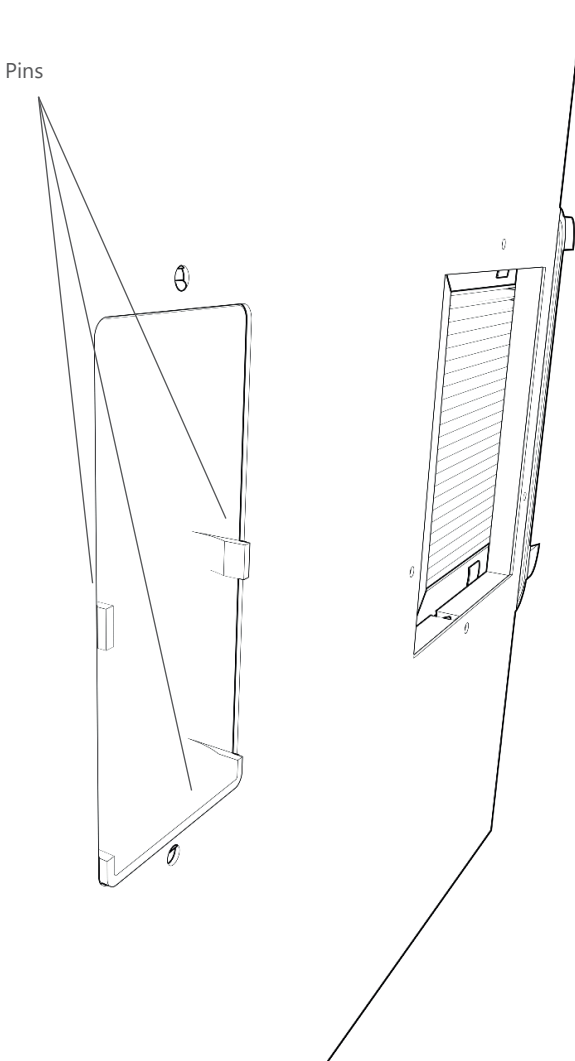
3. POSITIONING OF THE RECYCLING GUIDE

Position the recycling guide on the rear panel, ensuring it is properly placed to guarantee an optimal seal between the guide and the filtration casing.



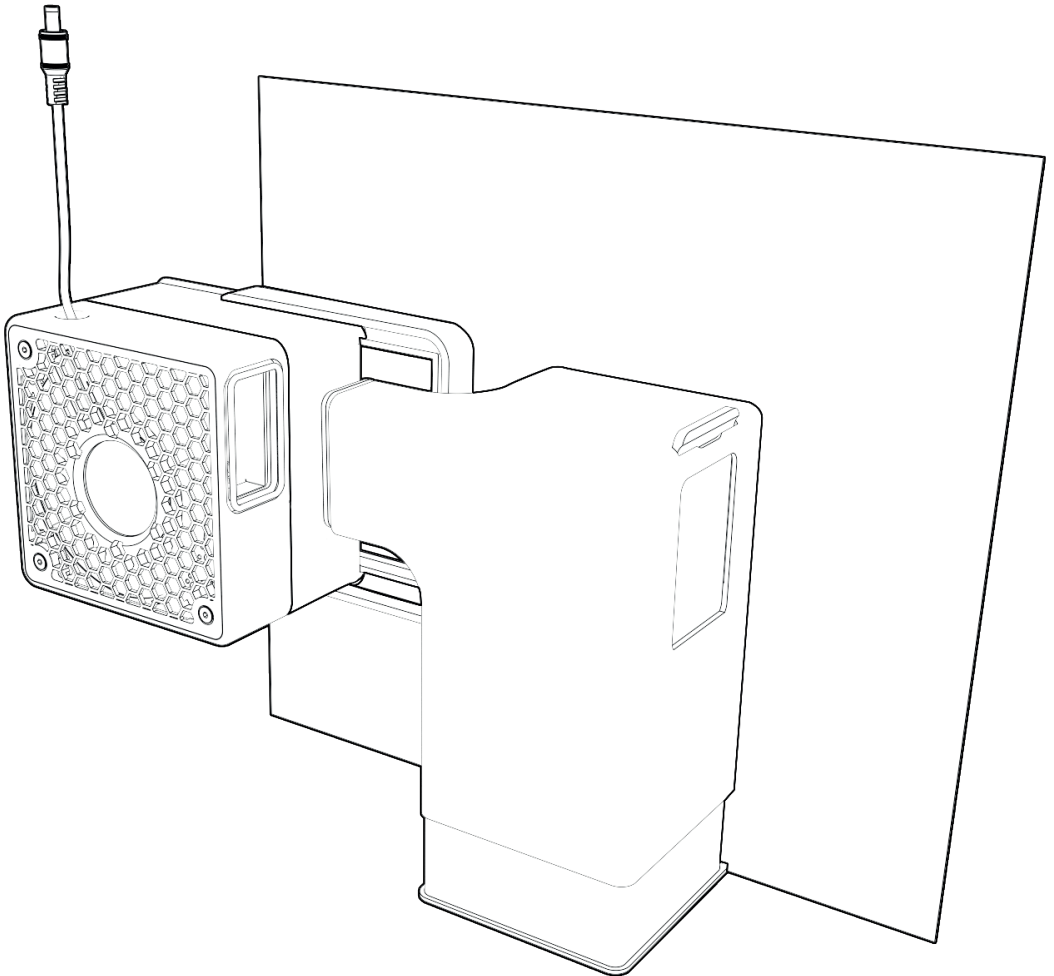
4. RECYCLING GUIDE PINS

Also check the proper positioning of the guide's ergonomic features to ensure a perfect seal.



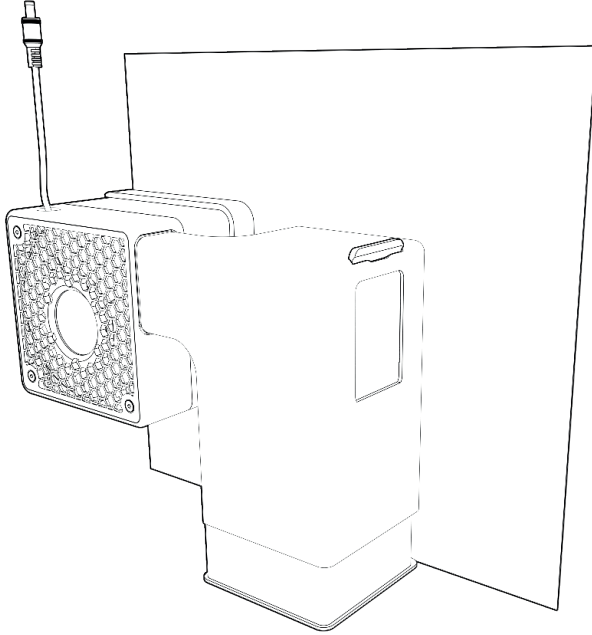
5. SEALING OF THE RECYCLING GUIDE

Check that the casing is correctly positioned against the stop on the support and that the recycling guide fits perfectly into the designated space on the casing

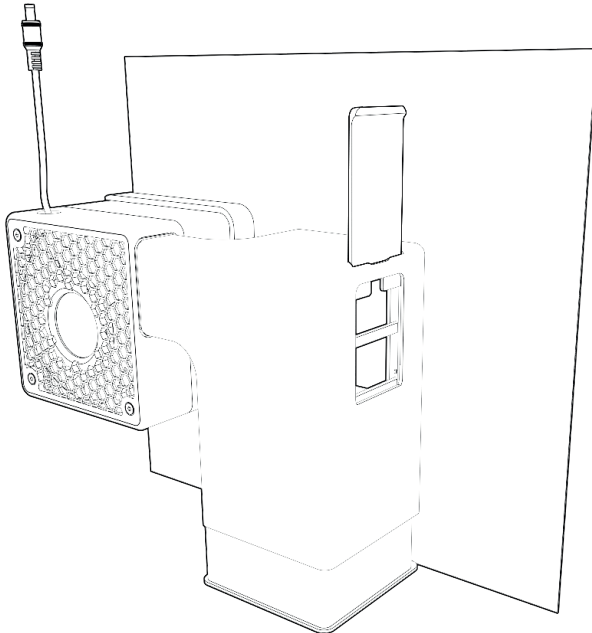


6. AIRFLOW MANAGEMENT USING THE DOOR:

Use the door to manage the air according to the filaments:



1.
Closed Hatch (door) :
ABS
ASA
PC
Nylon

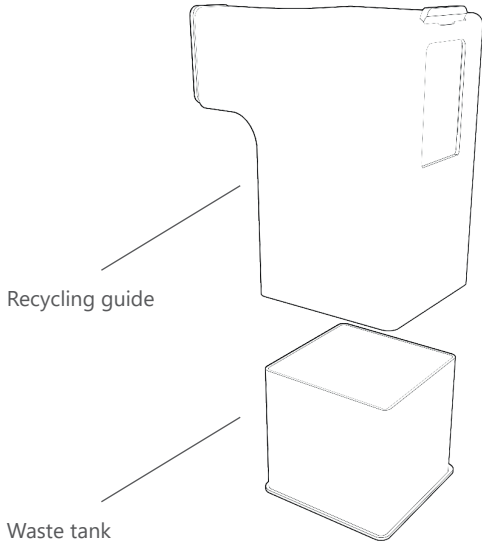


2.
half opened Hatch (door) :
PETG

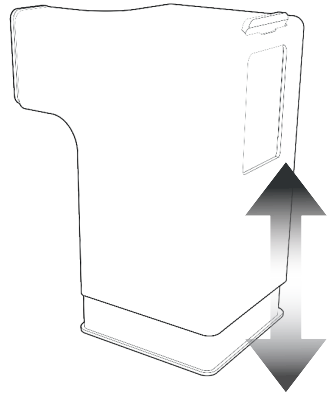
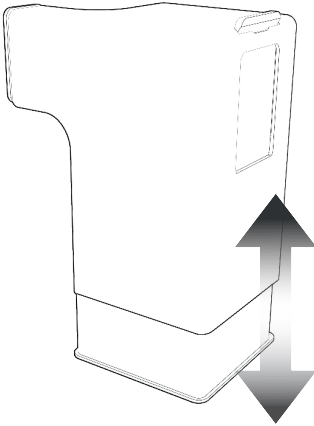
Opened Hatch (door) :
PLA
TPU

7. INSERT AND REMOVE THE WASTE CONTAINER

Make sure the waste container is properly aligned, following the recycling guide



- 1.**
Fit the waste container into place.



- 2.**
Its height is adjustable to align with the work surface.